

# 9.7cm(3.8") STN-LCD module

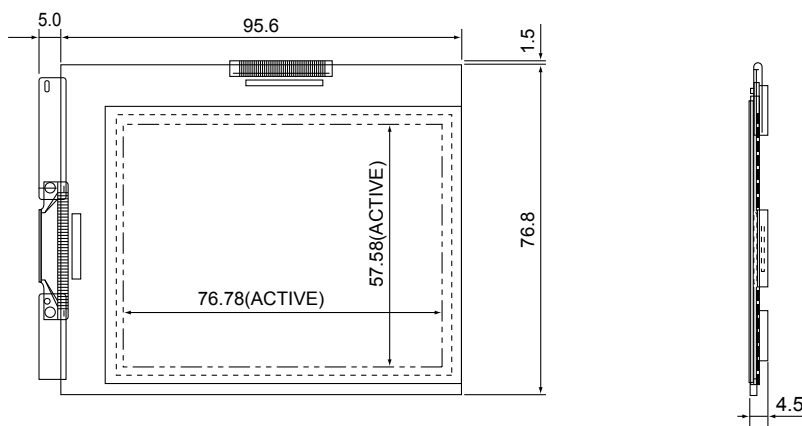
MDG579TT00



## ■ Features

- COG mounting is used to produce a thin LCM.
- Single power source (3.3V) design.

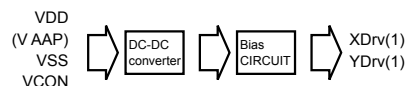
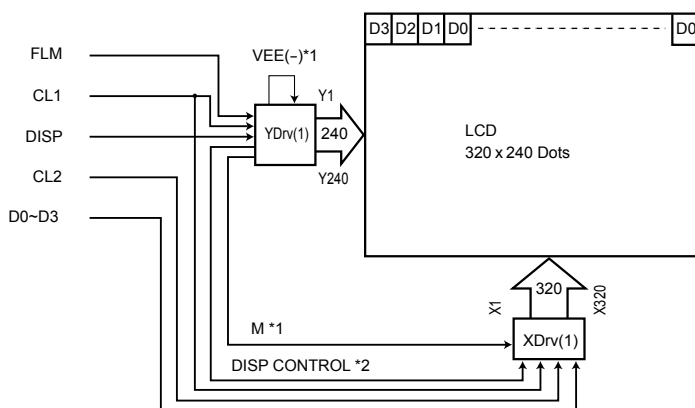
## ■ Mechanical drawing



## ■ Specifications

Item	Specifications	Units	Notes
Dot format	320 x 240	-	
Dot pitch	0.24 x 0.24	mm	
Contrast ratio	5	-	
Supply voltage for logic	3.3	V	

## ■ Block Diagram



\*(1)VEE:Inside of LCD Module  
 (2)Internal DISP signal keeps "L" state and the display off until 16 frames data is input even if DISP signal changes from "L" to "H".

# Specifications showed in this catalog are subject to change without notice.

**CASIO.** CASIO ELECTRONIC DEVICES CO., LTD.  
 Tachikawa center bldg., 2-22-20 Akebono-cho  
 Tachikawa-city, Tokyo 190-0012 Japan  
 Phone 042-527-6331 Facsimile 042-527-6332

www.DataSheet4U.com